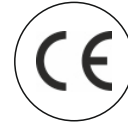


ADDRESSABLE OPTICAL SMOKE DETECTOR

MODEL: AS-801-SD/V1



Approvals:



Description:

Addressable Intelligent smoke detectors combines proven design with performance and has unique features that benefit the installer and end user. ASES Smoke Detector works using the light scatter and is ideal for applications where slow burning or smouldering fires are likely. The Detector continuously monitors the environment for contamination of clean air by smoke particles. This facilitates early warning of incipient fires.

Features :

- Address programmable through ASES- RPTU.
- Dual LED design provides 360° viewing.
- Remote indicator output available.
- Alarm flag for fast alarm reporting.
- Electronics-free base.
- Responds well to slow burning, smouldering fires.
- Easy installation, Removable innovative sensing chamber, easy for maintenance.
- Well suited for bedrooms and escape routes.
- Reliable fire detection in areas with a wide temperature range from -10°C to 60°C.
- Well suited to environments such as hotel bedrooms, warehouses and Govt. & Private Buildings.

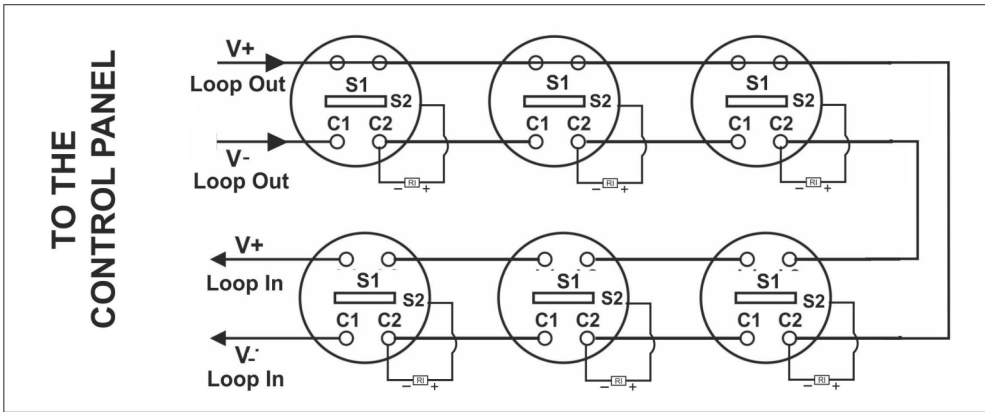
Recommended Cabling:

1.5mm² or above fire cable is recommended, laid through metal or flame -retardant conduit, but subject to local codes. Note: Different color cables are used to avoid wiring mistakes.

Technical Specification

Operating Loop Voltage	22-24 Vdc
Standby Current	2.2 mA
Alarm Current	4.2 mA (without remote indicator)
LED Indication	Green. Flashes every 3s normally. RED Steadily Illuminates after alarming.
Remote Indicator Output	Directly connecting with indicator Quiet in normal condition; flashes in alarm.
Programming Method	Programming from ASES PROGRAMMER
Wiring Polarized	2-core for a loop. Polarized 2-core for the remote detector.
Sensor	Photo electric diode
Detection principle	Lights Scattering
Environment Temperature	-10°C to 60°C
Relative Humidity	5% - 95% Rh
Material of Enclosure	ABS
Dimensions Diameter	100 mm Diameter x 52 mm Depth
Weight	108 g approx

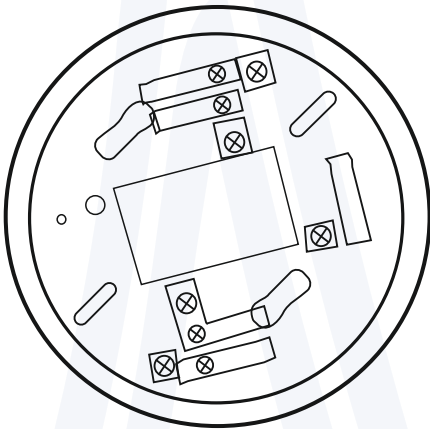
Connection and Cabling:



There are Four terminals with

- C1 (-) : LOOP OUT NEGATIVE
- C2 (-) : LOOP IN NEGATIVE
- S1 (+) : LOOP IN & OUT POSITIVE
- S2 (+) & C1(-): RESPONSE INDICATOR

Detector base image for wiring:



Mechanical Description:

